

Product Name :Electronic Components / Switches / Rocker switch / RSF-11  
Product Code : RSF-11



Approvals



Features

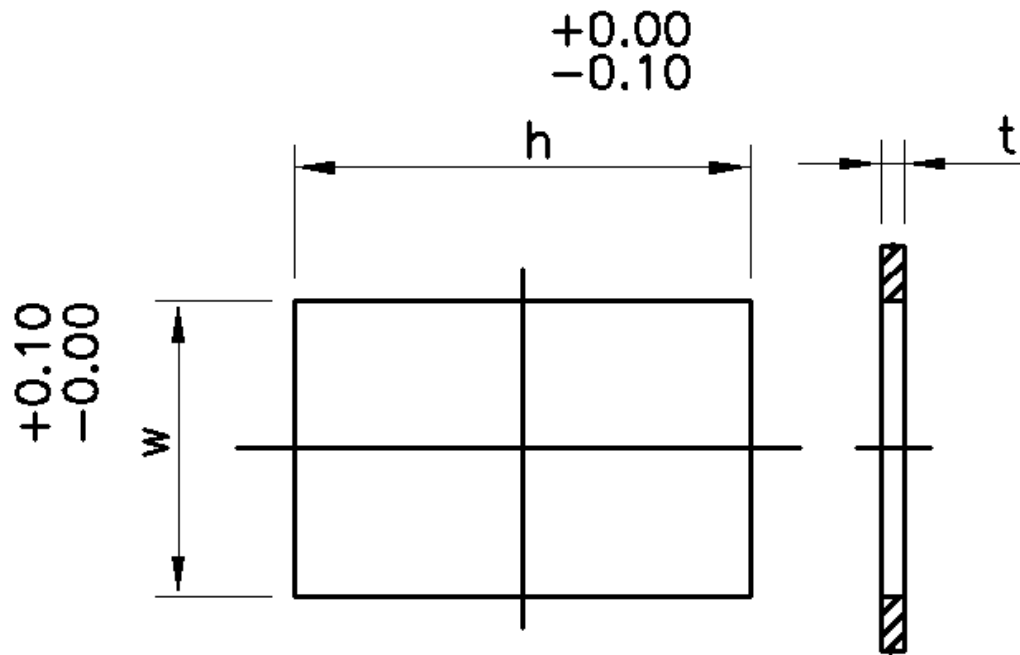
Range available in various electrical configurations like SPST, DPST, DPDT etc.

Rockers available in various colours including illuminations.

Gold plated elements also available.

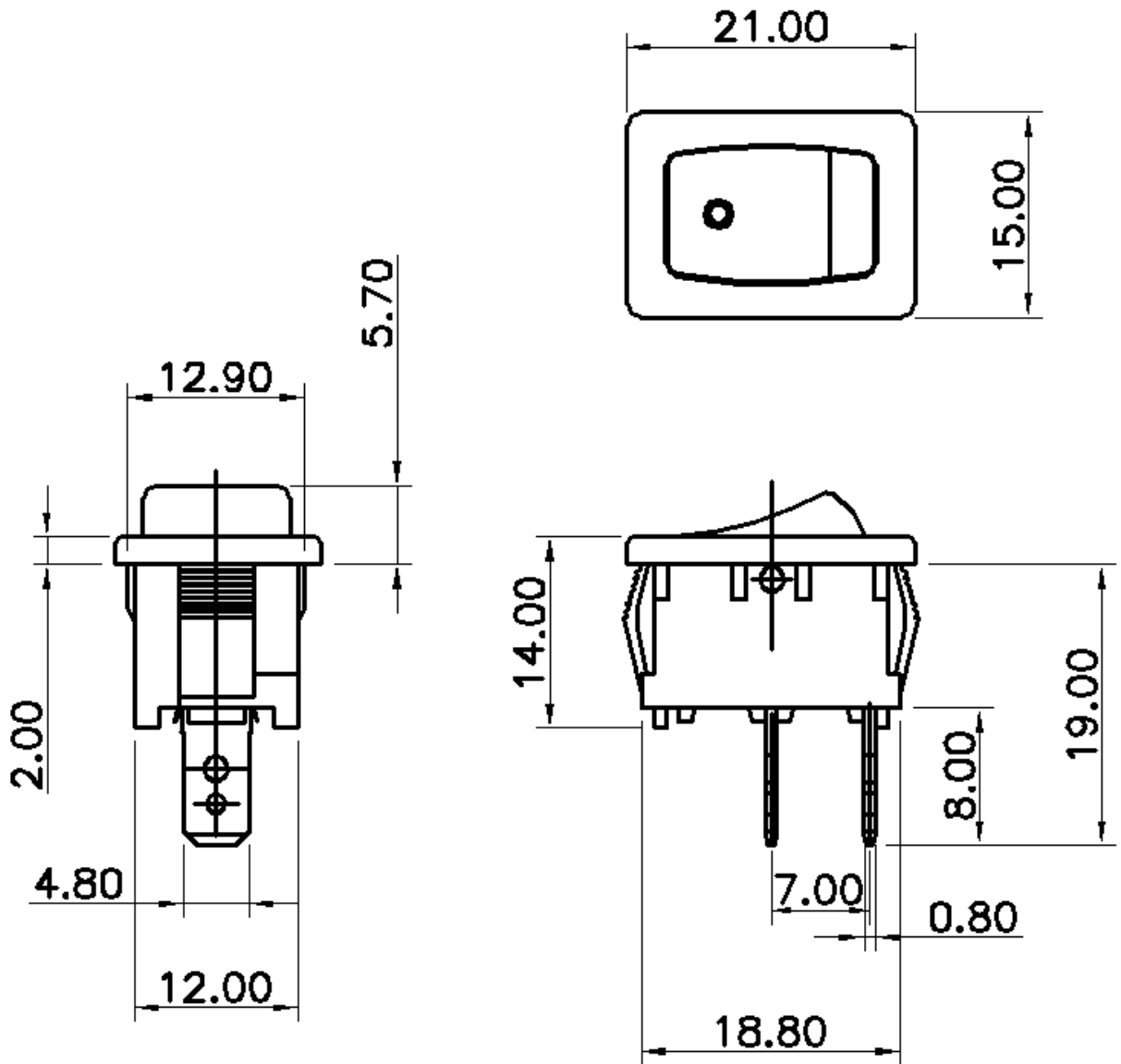
Availability in Fast-on terminal compatibility

# PANEL CUTOUT



t	h	w
0.75–2.00	19.40	12.90
2.00–3.00	19.80	12.90

# BASIC DIMENSIONS




Specifications

Sr.No	Parameter		Specification
1	Product Category / Description		Rocker Switch
2	Mounting Style		Panel Mounting
3	Rocker Type		Non - Illuminated
4	Pole / Throw Type		SPST
	Electrical Characteristics		
5	V/A Rating		4A 250V AC
6	Insulation Resistance at 500 VDC		100 M ohms Min.
7	H.V.Break Down Test (For 1-Minute)		1.5 KVAC
8	Contact Resistance (Initial)		10 m ohms Max
9	Indicating Light		No
10	Electrical Life		10,000 Cycles Min.
	Operating / Functional Characteristics		
11	Operating Temp. Range	With/Without Load	-20°C to +85°C
12	Permissible Temperature	For Soldering	270° C, 5 seconds max.
13	Mounting		Panel, Snap In Type
14	Panel Thickness (standard)		3.00 mm Max
15	Terminals (Standard)		4.8 mm with Round hole (Solder-type)
	Material		
16	Body		Nylon
17	RoHS compliant		No (Variety Available Through another code)
18	Colour (Standard)	Colour	Black
19	Current Carrying Parts	(b) Contacts, Terminals	Cu Alloy / Silver - Silver Plating
20	Rocker Colour		Red, Black or Green
	Reference Standards / Safety Approvals		
21	Reference Standard		IEC-61058-1
22	CE Marking		Yes

## ANNEXURE A

Standard Variety				
Sr.no.	With Reference To	Available option	RoHS/Non RoHS	Safety Approvals & / Or Markings
1	Plastic Resin	Nylon	Non RoHS	<b>CE</b>
2	Knob Colour	Black/Red		
3	Rating	4A		

Other Customized Options Available On Request , Subject To MOQ & Commercial Acceptance.				
Sr.no.	With Reference To	Available option	RoHS/Non RoHS	Safety Approvals & / Or Markings
4	Variety			<b>CE</b>
5	Rating	6/16A	—	<b>CE</b>
6	Plating On Current Carrying Parts	Gold/Silver	—	<b>CE</b>