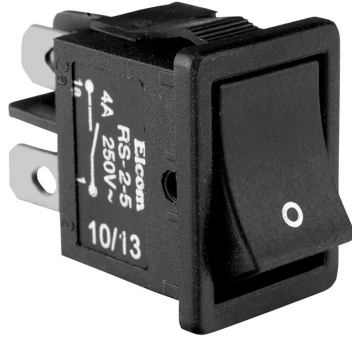


Product Name :Electronic Components / Switches / Rocker switch / RS-204
Product Code : RS-204



Approvals



Features

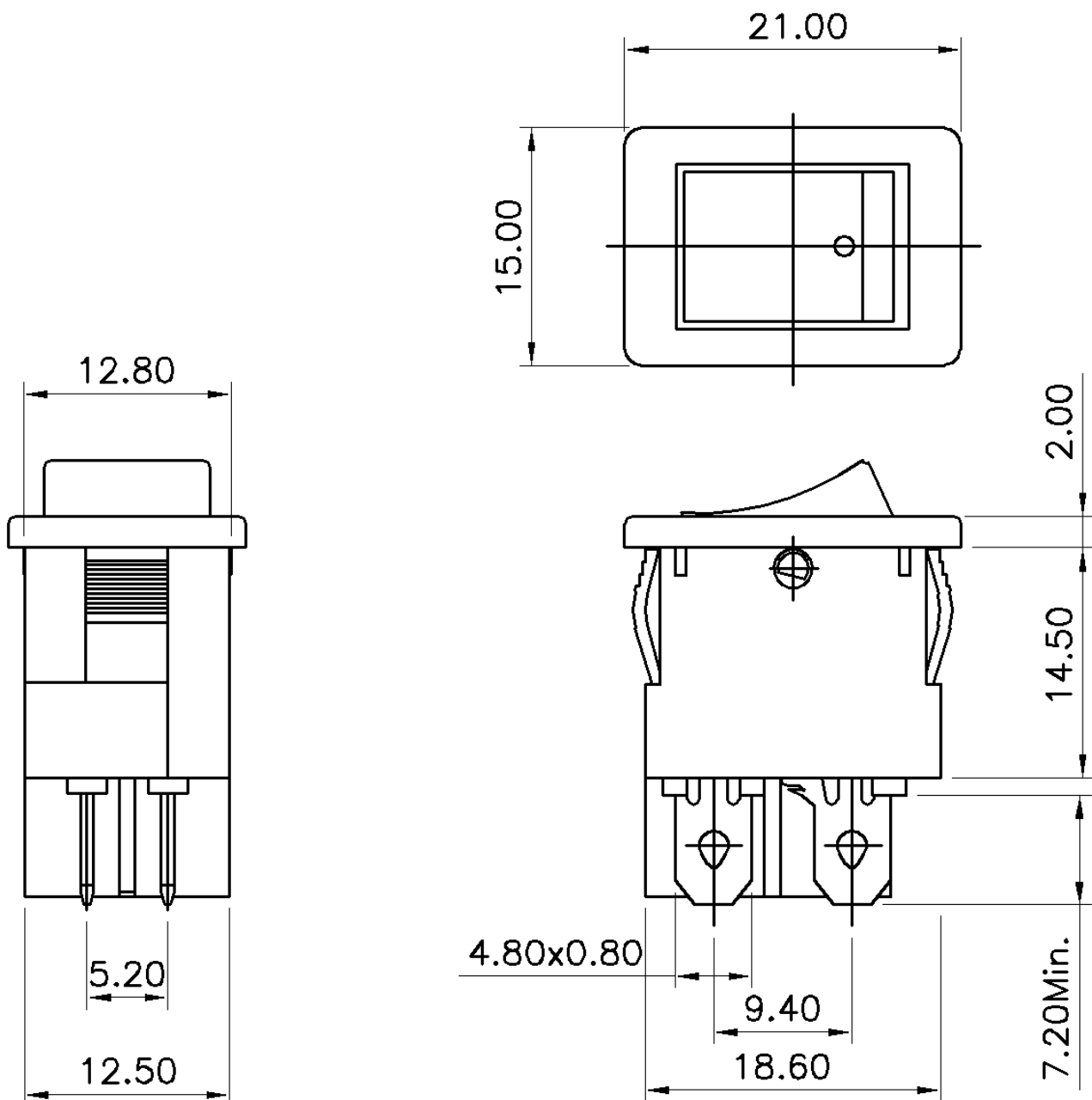
Range available in various electrical configurations like SPST, DPST, DPDT etc.

Rockers available in various colours including illuminations.

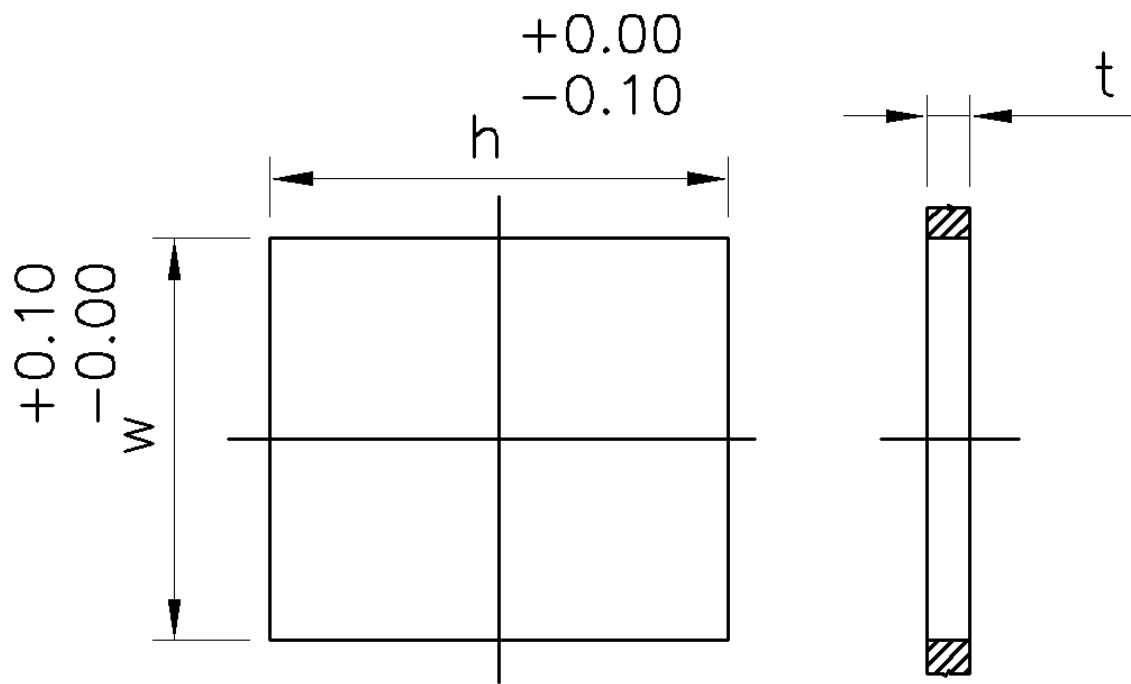
Gold plated elements also available.

Availability in Fast-on terminal compatibility

BASIC DIMENSIONS



PANEL CUTOUT





| t | h | w |
|-----------|-------|-------|
| 0.75–2.00 | 19.40 | 12.90 |
| 2.00–3.00 | 19.80 | 12.90 |

Specifications

| Sr.No | Parameter | | Specification |
|-------|--|-------------------------|---|
| 1 | Product Category / Description | | Rocker Switch |
| 2 | Mounting Style | | Panel Mounting |
| 3 | Rocker Type | | Non - Illuminated |
| 4 | Pole / Throw Type | | DPST |
| | Electrical Characteristics | | |
| 5 | V/A Rating | | 4A 250V AC |
| 6 | Insulation Resistance at 500 VDC | | 100 M ohms Min. |
| 7 | H.V.Break Down Test (For 1-Minute) | | 1.5 KVAC |
| 8 | Contact Resistance (Initial) | | 10 m ohms Max |
| 9 | Indicating Light | | No |
| 10 | Electrical Life | | 10,000 Cycles Min. |
| | Operating / Functional Characteristics | | |
| 11 | Operating Temp. Range | With/Without Load | -20°C to +85°C |
| 12 | Permissible Temperature | For Soldering | 270° C, 5 seconds max. |
| 13 | Mounting | | Panel, Snap In Type |
| 14 | Panel Thickness (standard) | | 2.5 mm Max |
| 15 | Terminals (Standard) | | 4.8 mm with Tear Drop hole (Solder-type) |
| | Material | | |
| 16 | Body | | Nylon |
| 17 | RoHS compliant | | No (Variety Available Through another code) |
| 18 | Colour (Standard) | Colour | Black |
| 19 | Current Carrying Parts | (b) Contacts, Terminals | Cu Alloy / Silver - Silver Plating |
| 20 | Rocker Colour | | Red, Black or Green |
| | Reference Standards / Safety Approvals | | |
| 21 | Reference Standard | | IEC-61058-1 |
| 22 | CE Marking | | Yes |

ANNEXURE A

| Standard Variety | | | | |
|------------------|-------------------|------------------|---------------|----------------------------------|
| Sr.no. | With Reference To | Available option | RoHS/Non RoHS | Safety Approvals & / Or Markings |
| 1 | Plastic Resin | Nylon | Non RoHS | ☑☑ |
| 2 | Knob Colour | Black/Red/Green | | |
| 3 | Rating | 4A/6A | | |

| Other Customized Options Available On Request , Subject To MOQ & Commercial Acceptance. | | | | |
|---|-----------------------------------|---|---|----------------------------------|
| Sr.no. | With Reference To | Available options | RoHS/Non RoHS | Safety Approvals & / Or Markings |
| 4 | Variety |  |  | ☑☑ |
| 5 | Indicating Light | Yes | — | ☑☑ |
| 6 | Knob Colour | In Indicating Light Option Red/Amber/Green | — | ☑☑ |
| 7 | Plating On Current Carrying Parts | Gold/Silver | — | ☑☑ |