

Product Name :Electronic Components / Fuse Holders / Panel Mountable / FH-1R
Product Code : FH-1R



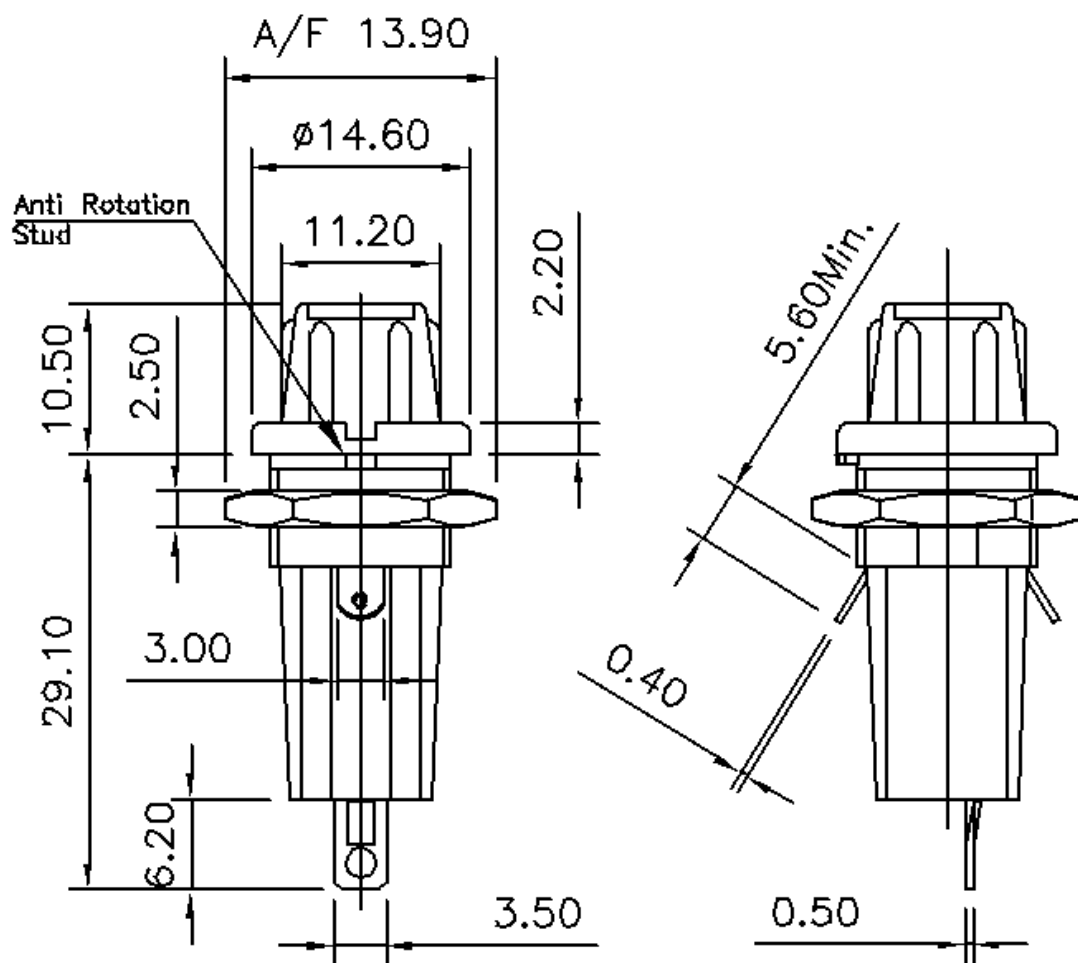
Approvals



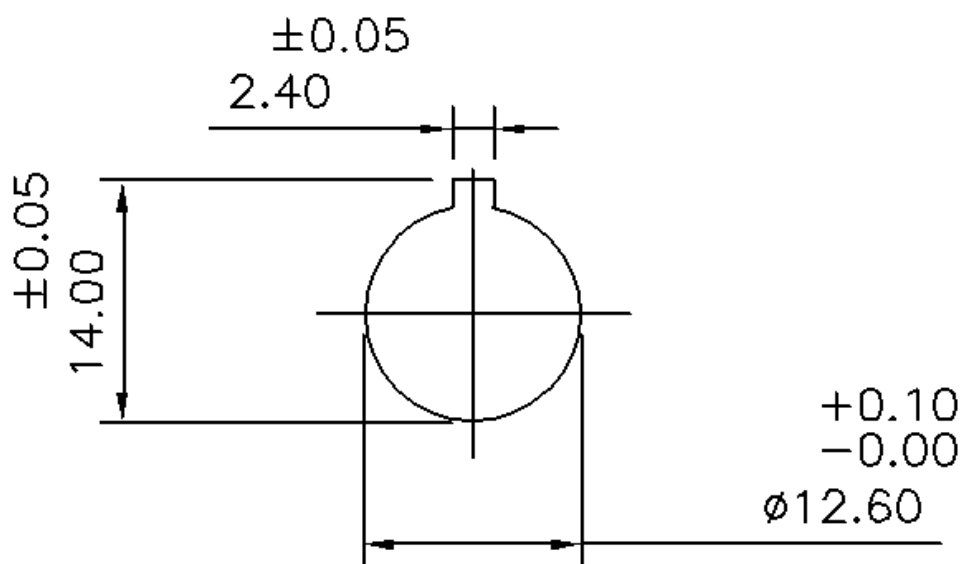
Features

- Can be used as an alternative to circuit breakers
- Wide range of mounting styles and terminals to suit various design requirements
- Wide range of operating temperature - up to 125 Deg Centigrade
- Simple mounting styles and economy of space
- Availability of synchronized Fuse holders, in either single or double fuse with IEC inlets

BASIC DIMENSIONS



PANEL CUTOUT





Specifications

Sr.No	Parameter		Specification
1	Product Category / Description		Fuse Holder
2	Mounting Style		Panel Mounting
3	Sub Type		Cap Design - Screw In
4	Fuse Size		ø 5 x 20 mm
	Electrical Characteristics		
5	V/A Rating		6.3A 250V AC
6	Insulation Resistance at 500 VDC		1000 M ohms Min.
7	H.V.Break Down Test (For 1-Minute)		2 KVAC
8	Contact Resistance (Initial)		10 m ohms Max
	Operating / Functional Characteristics		
9	Operating Temp. Range	With/Without Load	-20°C to +85°C
10	Permissible Temperature	For Soldering	270° C, 5 seconds max.
11	Mounting		Panel, Screw Type
12	Panel Thickness (standard)		3.00 mm Max
13	Terminals (Standard)		Solder Type
	Material		
14	Body		Nylon
15	RoHS compliant		No (Variety Available Through another code)
16	Colour (Standard)	Colour	Black
17	Current Carrying Parts	(b) Contacts, Terminals	Cu Alloy, Tin Plating
18	Knob Colour		Black or Red
	Reference Standards / Safety Approvals		
19	Reference Standard		IEC 60127-6
20	CE Marking		Yes

ANNEXURE A

FH-1

Standard Variety				
Sr.no.	With Reference To	Available option	RoHS/Non RoHS	Safety Approvals & / Or Markings
1	Plastic Resin	Nylon	Non RoHS	CE
2	Knob Colour	Black/Red	—	—

Other Customized Options Available On Request, Subject To MOQ & Commercial Acceptance.				
Sr.no.	With Reference To	Available options	RoHS/Non RoHS	Safety Approvals & / Or Markings
4	Variety			CE
5	Plastic Resin	Nylon 6 FR V-2	—	CE
6	Plastic Resin	Nylon 6 FR V-0	—	CE
7	Knob Colour	Any Colour	—	—
8	Changes In Mounting Accessories	Hex.Nut/Washer/Rubber Washer	—	Nil