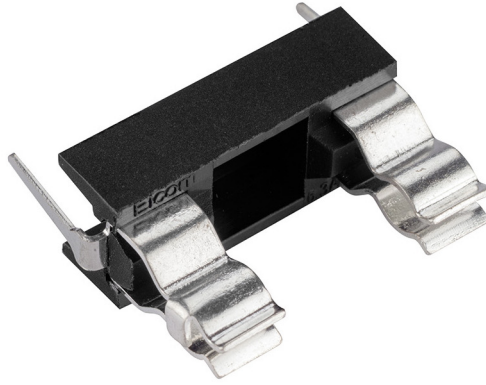


Product Name :Electronic Components / Fuse Holders / PCB Mountable / PBF-1
Product Code : PBF-1



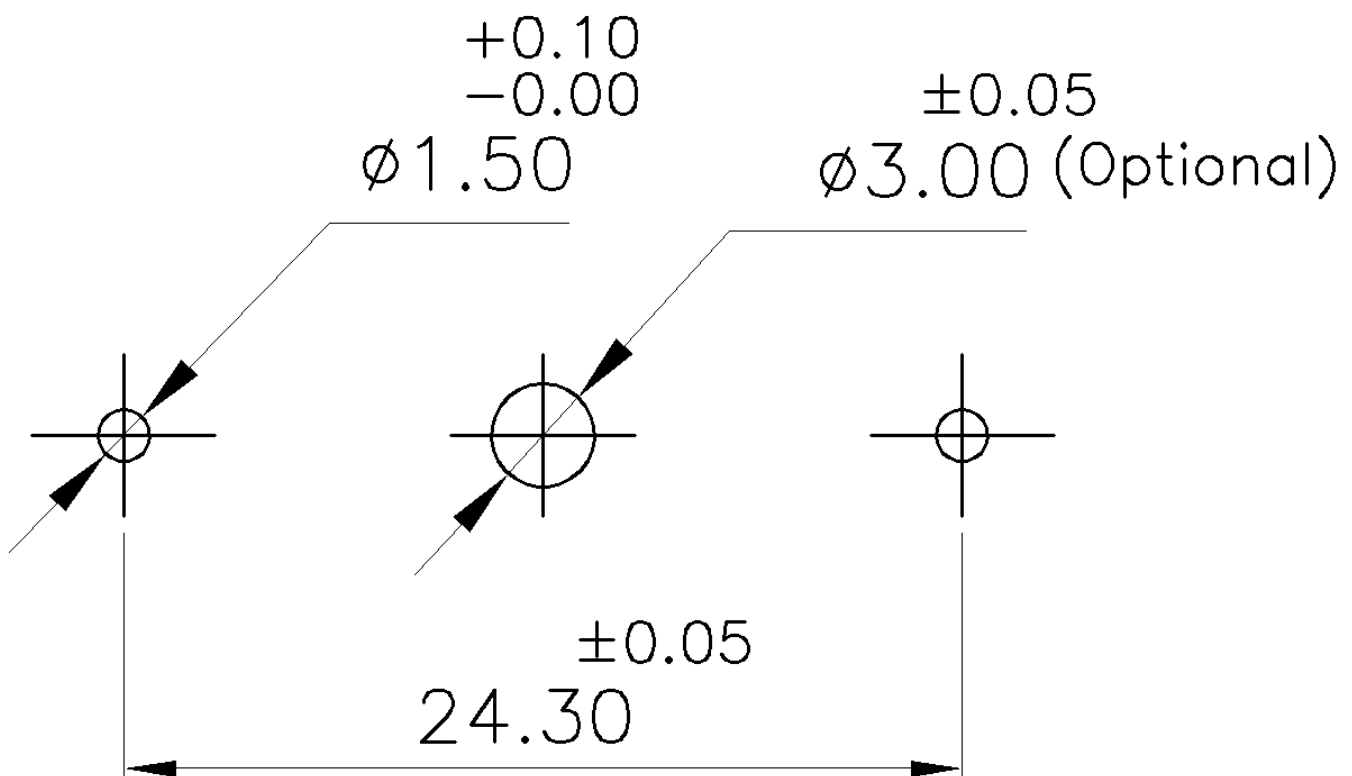
Approvals



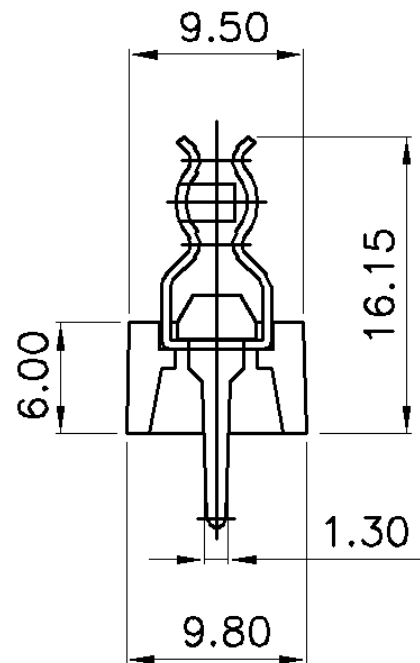
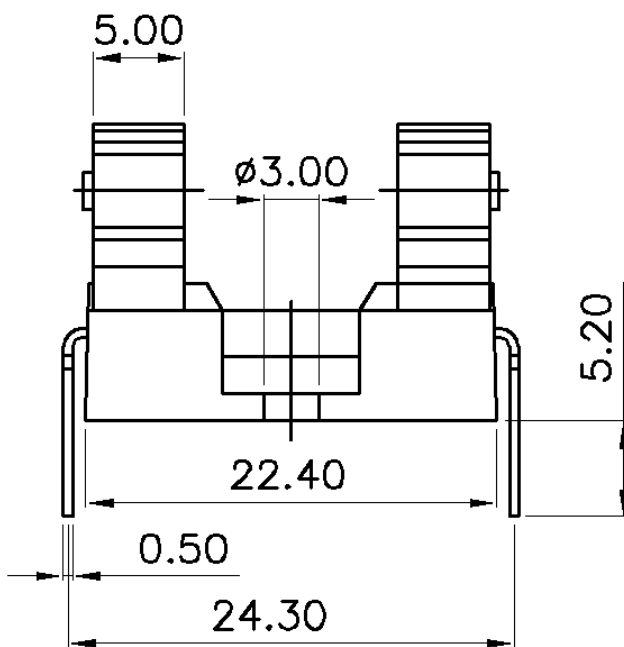
Features

- Can be used as an alternative to circuit breakers
- Wide range of mounting styles and terminals to suit various design requirements /
- Wide range of operating temperature - up to 125 Deg Centigrade
- Simple mounting styles and economy of space
- Availability of synchronized Fuse holders, in either single or double fuse with IEC inlets

MOUNTING DETAILS



BASIC DIMENSIONS





Specifications

Sr.No	Parameter		Specification
1	Product Category / Description		Fuse Holder
2	Mounting Style		PCB Mounting
3	Sub Type		Press Fit Type Contacts
4	Fuse Size		ø 5 x 20 mm
	Electrical Characteristics		
5	V/A Rating		6.3A 250V AC
6	Insulation Resistance at 500 VDC		1000 M ohms Min.
7	H.V.Break Down Test (For 1-Minute)		2 KVAC
8	Contact Resistance (Initial)		10 m ohms Max
	Operating / Functional Characteristics		
9	Operating Temp. Range	With/Without Load	-20°C to +85°C
10	Permissible Temperature	For Soldering	270° C, 5 seconds max.
11	Mounting		PCB Type
12	Terminals (Standard)		Solder Type
	Material		
13	Body		Nylon
14	RoHS compliant		No (Variety Available Through another code)
15	Colour (Standard)	Colour	Black
16	Current Carrying Parts	(b) Contacts, Terminals	Cu Alloy, Tin Plating
	Reference Standards / Safety Approvals		
17	Reference Standard		IEC 60127-6

ANNEXURE A

Standard Variety				
Sr.no.	With Reference To	Available option	RoHS/Non RoHS	Safety Approvals & / Or Markings
1	Plastic Resin	Nylon	Non RoHS	CE

Other Customized Options Available On Request, Subject To MOQ & Commercial Acceptance.				
Sr.no.	With Reference To	Available option	RoHS/Non RoHS	Safety Approvals & / Or Markings
2	Variety			CE